

Angular Contact Ball Bearings

Bearing No. : **NACHI 7232CDB**

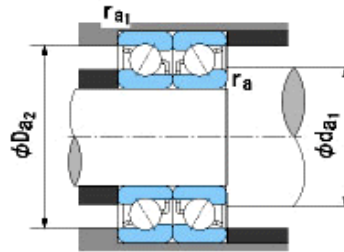
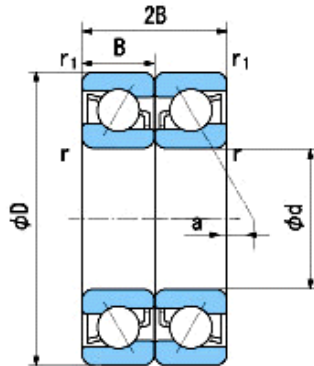
■ Bearing Type

■ Clearance

■ Tolerance Class

Dimensions

d = 160⁰_{-0.025}
 D = 290⁰_{-0.035}
 B = 48⁰_{0.000}
 r = 3~5
 (Radial Direction)
 r = 3~8
 (Axial Direction)
 r1 = 1.1~2.5
 (Radial Direction)
 r1 = 1.1~4
 (Axial Direction)
 a = 2.4



Dimensions

da1(min) = 174
 da2(min) = 167
 Da1(max) = 276
 Da2(max) = 283
 ra(max) = 2.5
 ra1(max) = 1
 Mass = 27.4 kg

| | |
|--------------------------------|--------------------------------|
| Basic Dynamic Load Rating Cr : | 470,000 N |
| Basic Static Load Rating Cor : | 670,000 N |
| Limiting Speed ; | |
| Grease Lubrication : | 2,900 min ⁻¹ |
| Oil Lubrication : | 3,900 min ⁻¹ |

| | INNER RING | OUTER RING |
|--------------------------------|--------------|--------------|
| O.D.Surface Runout with Side : | | - |
| Axial Runout with Bore : | - | |
| Axial Runout with Raceway : | - | |
| Width Variation : | 0.030 | 0.030 |
| Radial Runout : | 0.030 | 0.060 |